

Engine & Cooling	Fuel	Ignition	Electrical	Running gear	Torque settings	Capacities	Notes & Illustrations
------------------	------	----------	------------	--------------	-----------------	------------	-----------------------



Automotive Technical DATA BOOK

Click on one of the buttons above to view data for this car. To return to this screen and make another choice, click anywhere on the data screen.

MENU **HELP**

Engine and cooling system Uno (994) 1990 to 1992

Type	146 B4.000 (FIRE) OHC 32kW	
Capacity (cm ³) / number of cylinders	994 / 4	
Compression ratio / pressure	bar	9.35±0.15 / _
Oil pressure	bar	[3.4 to 4.9]
Oil temperature	°C	100
Valve clearance - inlet	mm	0.30±0.05
Valve clearance - exhaust	mm	0.40±0.05
Firing order	1-3-4-2	
No 1 cylinder position	TBE	
Thermostat opening temperature	°C	80 to 84
Radiator cap pressure	bar	0.98

Fuel system Uno (994) 1990 to 1992

Idle speed - manual [auto]	rpm	750 to 800
Fast idle speed - manual [auto]	rpm	_
CO @ idle speed [3000 rpm] - see page VI	%	0.5 to 1.5
HC @ idle speed [3000 rpm] - see page VI	ppm	≤1200
CO ₂ @ idle speed [3000 rpm] - see page VI	%	_
O ₂ @ idle speed [3000 rpm] - see page VI	%	_
Carburettor / fuel injection	Weber	
Type / ref	32 ICEV 62/250	
Main jet / needle	110	
Injection pressure	bar	_
Pump pressure	bar	0.18
Octane rating	RON	95[E 95 RON]

Ignition system Uno (994) 1990 to 1992

Type	Electronic	
Ignition coil	Marelli BAE 506 D	
Primary resistance	ohms	0.666 to 0.814
Ballast resistor	ohms	_
Voltage - Tmnl 15(+) to earth	V	_
Distributor	Marelli/Ducellier	
Points gap (air gap)	mm	[0.30 to 0.40]
Dwell angle	° (%)	_
Condenser capacity	µF	_
Rotation	Clockwise	
Ignition timing - basic [static	° Crankshaft @ rpm	10 BTDC @ 750 to 800
V = Vacuum NV = No Vacuum	V	
Total ignition advance	° Crankshaft @ rpm	_
Centrifugal check.	° Crankshaft @ rpm	0±2 @ 1200±50
Vacuum range check	mbar	133 to 400
Maximum vacuum advance	° Crankshaft	14±2
Spark plugs	Bosch/Champion	
Type	WR7DC / RN9YC	
Electrode gap	mm	0.70 to 0.80

Electrical system Uno (994) 1990 to 1992

Battery	V / CC / RC	12 / 150 / 32Ah
Alternator voltage / full load current / engine rpm	14.0 to 14.3 / _ / 3500	
Starter motor current / voltage - cranking	A / V	170 / 9.5
- locked	A / V	330 / 7.1

Running gear Uno (994) 1990 to 1992

Brakes -		
Front (min. friction material thickness)	mm	1.5
Rear (min. friction material thickness)	mm	1.5

Tyres		
Saloon	Size	135x13
Estate / Van	Size	_
Pressure - front / rear - Saloon	bar	1.9 / 1.9
- Estate / Van	bar	_

Front suspension / wheel alignment

Toe-in (+) / Toe-out (-)	mm [°]	+1.0±1.0
Camber	+25'±30' N/A	
Castor	+2°15'±30' N/A	
King pin inclination	_	

Rear suspension / wheel alignment

Toe-in (+) / Toe-out (-)	mm [°]	_
Camber	_	

Torque wrench settings Uno (994) 1990 to 1992

Cylinder head - stage 1	Nm	30
- stage 2	Nm	+ 90°
Cylinder head - stage 3	Nm	+ 90°
- stage 4	Nm	_
Big-end bearings	Nm	41
Main bearings	Nm	40 + 90°
Clutch cover	Nm	16
Flywheel [driveplate]	Nm	44
Front hubs	Nm	294
Rear hubs	Nm	216
Wheel nuts / bolts	Nm	86
Spark plugs	Nm	25 to 30

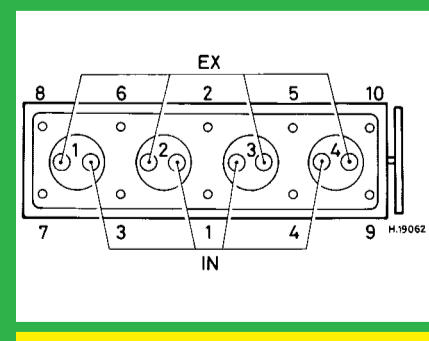
Capacities Uno (994) 1990 to 1992

Engine oil & filter	litres	3.8
Gearbox - 4-speed [5-speed]	litres	2.4
Automatic transmission - refill	litres	_
Final drive	litres	WT
Cooling system	litres	4.6
Fuel tank	litres	42

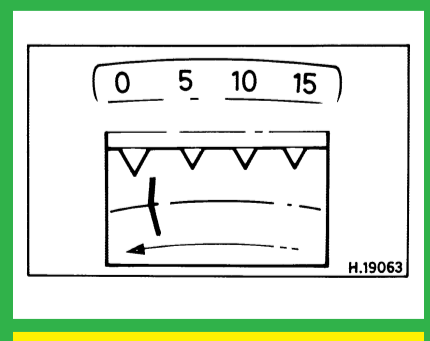
Notes and Illustrations



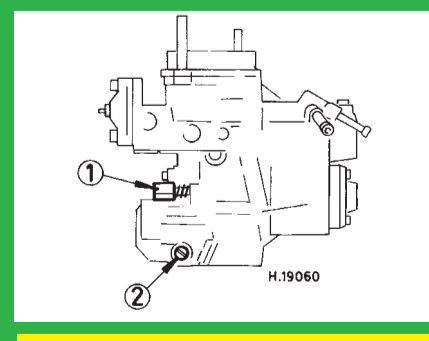
1: Idle speed 2: CO / Mixture



994 cm³



994 cm³



Weber 32 ICEV 62/250