

Engine & Cooling	Fuel	Ignition	Electrical	Running gear	Torque settings	Capacities	Notes & Illustrations
------------------	------	----------	------------	--------------	-----------------	------------	-----------------------



# Automotive Technical DATA BOOK

Click on one of the buttons above to view data for this car. To return to this screen and make another choice, click anywhere on the data screen.

**MENU**      **HELP**

### Engine and cooling system      Uno 60 Selecta (1116)      1990 to 1992

Type		146 A4.048 OHC. 43kW
Capacity (cm <sup>3</sup> ) / number of cylinders		1116 / 4
Compression ratio / pressure	bar	9.02 / _
Oil pressure	bar	[3.4 to 4.9]
Oil temperature	°C	100
Valve clearance - inlet	mm	0.40±0.05
Valve clearance - exhaust	mm	0.50±0.05
Firing order		1-3-4-2
No 1 cylinder position		TBE
Thermostat opening temperature	°C	87±2
Radiator cap pressure	bar	0.98

### Fuel system      Uno 60 Selecta (1116)      1990 to 1992

Idle speed - manual [auto]	rpm	[850±50]
Fast idle speed - manual [auto]	rpm	_
CO @ idle speed [3000 rpm] - see page VI	%	1.5±0.5
HC @ idle speed [3000 rpm] - see page VI	ppm	≤1200
CO <sub>2</sub> @ idle speed [3000 rpm] - see page VI	%	_
O <sub>2</sub> @ idle speed [3000 rpm] - see page VI	%	_
Carburettor / fuel injection		Weber
Type / ref		30-32 DMTR 135/750
Main jet / needle		90, 102
Injection pressure	bar	_
Pump pressure	bar	0.18
Octane rating	RON	97[E 95 RON]

### Ignition system      Uno 60 Selecta (1116)      1990 to 1992

Type		Electronic
Ignition coil		Marelli BAE 506 D
Primary resistance	ohms	0.666 to 0.814
Ballast resistor	ohms	_
Voltage - Tmnl 15(+) to earth	V	_
Distributor		Marelli
Points gap (air gap)	mm	[0.30 to 0.40]
Dwell angle	° (%)	_
Condenser capacity	µF	_
Rotation		Clockwise
Ignition timing - basic [static	° Crankshaft @ rpm	10 BTDC @ 800 to 900
V = Vacuum    NV = No Vacuum		NV
Total ignition advance	° Crankshaft @ rpm	_
	° Crankshaft @ rpm	_
	° Crankshaft @ rpm	_
Centrifugal check.	° Crankshaft @ rpm	0±2 @ 1300±200
	° Crankshaft @ rpm	10±2 @ 2600±200
	° Crankshaft @ rpm	20±2 @ 5250±200
Vacuum range check	mbar	200 to 467
Maximum vacuum advance	° Crankshaft	15±2
Spark plugs		Bosch/Champion
Type		FR7DC / RC9YC
Electrode gap	mm	0.70 to 0.80

### Electrical system      Uno 60 Selecta (1116)      1990 to 1992

Battery	V / CC / RC	12 / 150 / 32Ah
Alternator voltage / full load current / engine rpm		14.0 to 14.6 / 55 / 3500
Starter motor current / voltage - cranking	A / V	190 to 200 / 9.8 to 10.4
- locked	A / V	380 to 440 / 7.6 to 8.5

### Running gear      Uno 60 Selecta (1116)      1990 to 1992

<b>Brakes -</b>		
Front (min. friction material thickness)	mm	1.5
Rear (min. friction material thickness)	mm	1.5
<b>Tyres</b>		
Saloon	Size	155/70x13
Estate / Van	Size	_
Pressure - front / rear - Saloon	bar	1.9 / 1.9
- Estate / Van	bar	_
<b>Front suspension / wheel alignment</b>		
Toe-in (+) / Toe-out (-)	mm [°]	+1.0±1.0
Camber		-30'±30' N/A
Castor		+2°10'±15' N/A
King pin inclination		_
<b>Rear suspension / wheel alignment</b>		
Toe-in (+) / Toe-out (-)	mm [°]	_
Camber		_

### Torque wrench settings      Uno 60 Selecta (1116)      1990 to 1992

Cylinder head - stage 1	Nm	20
- stage 2	Nm	40
Cylinder head - stage 3	Nm	+ 90°
- stage 4	Nm	+ 90°
Big-end bearings	Nm	51
Main bearings	Nm	80
Clutch cover	Nm	_
Flywheel [driveplate]	Nm	83
Front hubs	Nm	294
Rear hubs	Nm	216
Wheel nuts / bolts	Nm	86
Spark plugs	Nm	25 to 30

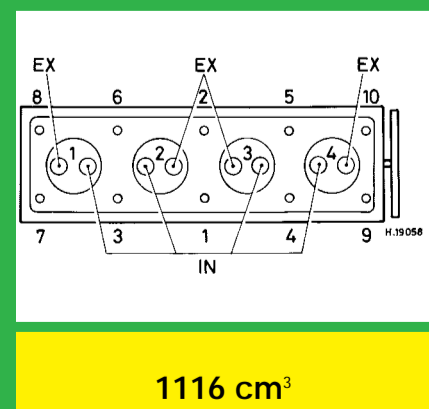
### Capacities      Uno 60 Selecta (1116)      1990 to 1992

Engine oil & filter	litres	4.1
Gearbox - 4-speed [5-speed]	litres	_
Automatic transmission - refill	litres	3.5
Final drive	litres	WT
Cooling system	litres	6.2
Fuel tank	litres	42

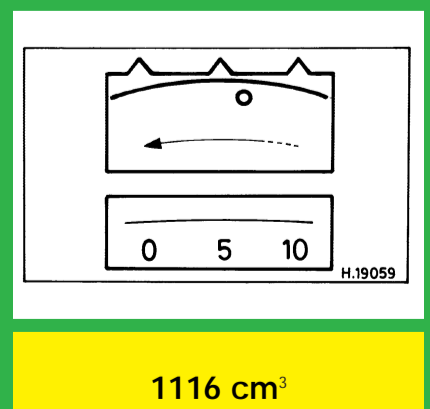
### Notes and Illustrations



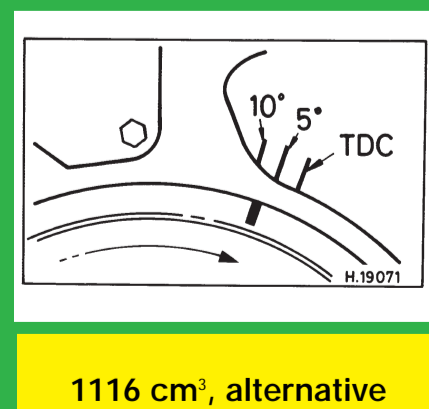
1: Idle speed      2: CO / Mixture



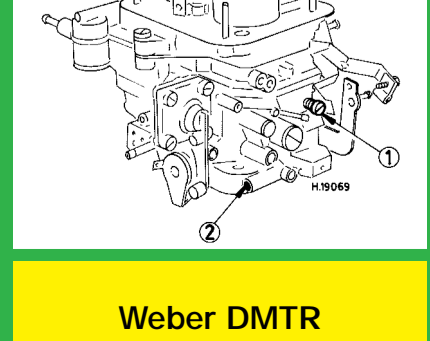
1116 cm<sup>3</sup>



1116 cm<sup>3</sup>



1116 cm<sup>3</sup>, alternative



Weber DMTR