

Engine & Cooling	Fuel	Ignition	Electrical	Running gear	Torque settings	Capacities	Notes & Illustrations
------------------	------	----------	------------	--------------	-----------------	------------	-----------------------



Automotive Technical DATA BOOK

Click on one of the buttons above to view data for this car. To return to this screen and make another choice, click anywhere on the data screen.

MENU

HELP

Engine and cooling system Strada 60 1985 to 1988

Type	146 A4.000 or 146 A4.048	
Capacity (cm ³) / number of cylinders	1116 / 4	
Compression ratio / pressure	bar	9.2 / _
Oil pressure	bar	[3.4 to 4.9]
Oil temperature	°C	100
Valve clearance - inlet	mm	0.40
Valve clearance - exhaust	mm	0.50
Firing order	1-3-4-2	
No 1 cylinder position	TBE	
Thermostat opening temperature	°C	83 to 87
Radiator cap pressure	bar	0.98

Fuel system Strada 60 1985 to 1988

Idle speed - manual [auto]	rpm	850±50
Fast idle speed - manual [auto]	rpm	_
CO @ idle speed [3000 rpm] - see page VI	%	1.0±0.5
HC @ idle speed [3000 rpm] - see page VI	ppm	≤1200
CO ₂ @ idle speed [3000 rpm] - see page VI	%	_
O ₂ @ idle speed [3000 rpm] - see page VI	%	_
Carburettor / fuel injection	Solex/Weber	
Type / ref	S: C30-32 CIC9. W: 30-32DMTE	
Main jet / needle	S: 101, 97. W: 91, 102	
Injection pressure	bar	_
Pump pressure	bar	0.18
Octane rating	RON	98[L]

Ignition system Strada 60 1985 to 1988

Type	Contact breaker - CIS	
Ignition coil	Various	
Primary resistance	ohms	2.6 to 3.4 (typical)
Ballast resistor	ohms	_
Voltage - Tmnl 15(+) to earth	V	_
Distributor	Marelli/Ducellier	
Points gap (air gap)	mm	0.40±0.03
Dwell angle	° (%)	55±3
Condenser capacity	µF	0.20 to 0.25
Rotation	_	
Ignition timing - basic [static	° Crankshaft @ rpm	10 BTDC @ idle
V = Vacuum NV = No Vacuum	NV	
Total ignition advance	° Crankshaft @ rpm	_
	° Crankshaft @ rpm	_
	° Crankshaft @ rpm	_
Centrifugal check.	° Crankshaft @ rpm	0 @ 400 to 1200
	° Crankshaft @ rpm	12 to 14 @ 3000
	° Crankshaft @ rpm	22 to 26 @ 4400
Vacuum range check	mbar	133 to 333
Maximum vacuum advance	° Crankshaft	10 to 14
Spark plugs	Bosch/Champion	
Type	WR7DC / RN9YC	
Electrode gap	mm	0.70 to 0.80

Electrical system Strada 60 1985 to 1988

Battery	V / CC / RC	12 / 175 / 60
Alternator voltage / full load current / engine rpm	14.0 to 14.3 / _ / 3000	
Starter motor current / voltage - cranking	A / V	170 / 9.4 to 10.3
- locked	A / V	310 / 7.5

Running gear Strada 60 1985 to 1988

Brakes -		
Front (min. friction material thickness)	mm	1.5
Rear (min. friction material thickness)	mm	1.5

Tyres		
Saloon	Size	145x13: 165/70x13
Estate / Van	Size	_
Pressure - front / rear - Saloon	bar	1.9 / 1.8
- Estate / Van	bar	_

Front suspension / wheel alignment

Toe-in (+) / Toe-out (-)	mm [°]	-1.0 to +1.0
Camber	+1°30' to 2°30'	
Castor	+50' to 1°50'	
King pin inclination	_	

Rear suspension / wheel alignment

Toe-in (+) / Toe-out (-)	mm [°]	0 to +4.0
Camber	+30' to -30'	

Torque wrench settings Strada 60 1985 to 1988

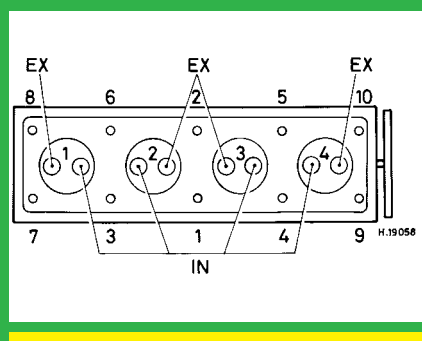
Cylinder head - stage 1	Nm	20
- stage 2	Nm	40
Cylinder head - stage 3	Nm	+ 90°
- stage 4	Nm	+ 90°
Big-end bearings	Nm	51
Main bearings	Nm	80
Clutch cover	Nm	16
Flywheel [driveplate]	Nm	83
Front hubs	Nm	216
Rear hubs	Nm	216
Wheel nuts / bolts	Nm	86
Spark plugs	Nm	25 to 30

Capacities Strada 60 1985 to 1988

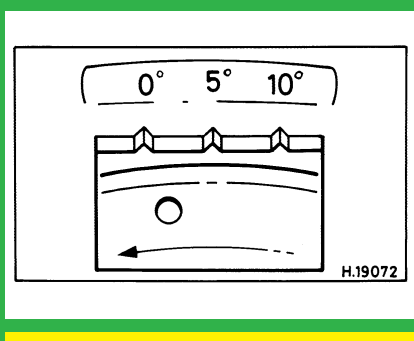
Engine oil & filter	litres	4.1
Gearbox - 4-speed [5-speed]	litres	3.0 [3.3]
Automatic transmission - refill	litres	_
Final drive	litres	WT
Cooling system	litres	6.7
Fuel tank	litres	55

Notes and Illustrations

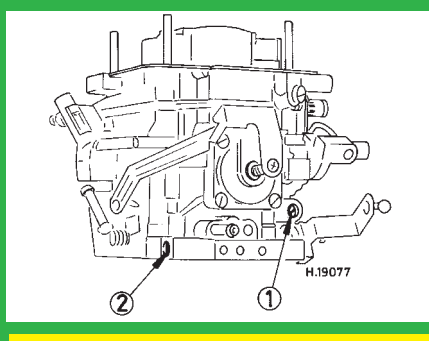
1: Idle speed 2: CO / Mixture



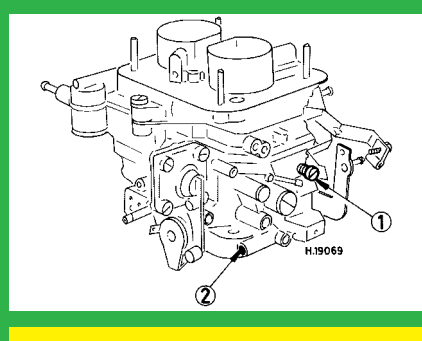
1116 cm³



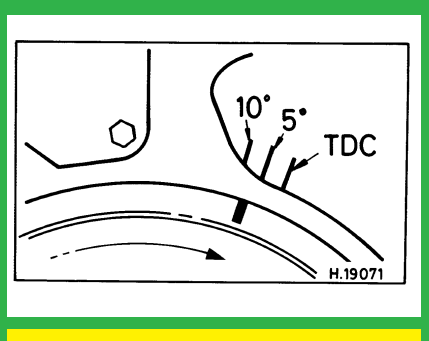
1116 cm³



Solex CIC



Weber DMTE



1116 cm³, alternative