

Engine & Cooling	Fuel	Ignition	Electrical	Running gear	Torque settings	Capacities	Notes & Illustrations
------------------	------	----------	------------	--------------	-----------------	------------	-----------------------



Automotive Technical DATA BOOK

Click on one of the buttons above to view data for this car. To return to this screen and make another choice, click anywhere on the data screen.

MENU **HELP**

Engine and cooling system Regata 85 Super AT 1986 to 1989

Type		149 A5.000 SOHC
Capacity (cm ³) / number of cylinders		1498 / 4
Compression ratio / pressure	bar	9.5 / _
Oil pressure	bar	[3.4 to 4.9]
Oil temperature	°C	100
Valve clearance - inlet	mm	0.40±0.05
Valve clearance - exhaust	mm	0.50±0.05
Firing order		1-3-4-2
No 1 cylinder position		TBE
Thermostat opening temperature	°C	83 to 87
Radiator cap pressure	bar	1.0

Fuel system Regata 85 Super AT 1986 to 1989

Idle speed - manual [auto]	rpm	750 to 800
Fast idle speed - manual [auto]	rpm	_
CO @ idle speed [3000 rpm] - see page VI	%	1.0±0.5
HC @ idle speed [3000 rpm] - see page VI	ppm	≤1200
CO ₂ @ idle speed [3000 rpm] - see page VI	%	_
O ₂ @ idle speed [3000 rpm] - see page VI	%	_
Carburettor / fuel injection		Weber
Type / ref		32-34 DMTR 121
Main jet / needle		97, 115
Injection pressure	bar	_
Pump pressure	bar	≥0.18
Octane rating	RON	98[L]

Ignition system Regata 85 Super AT 1986 to 1989

Type		Electronic
Ignition coil		Marelli
Primary resistance	ohms	0.76 to 0.92
Ballast resistor	ohms	_
Voltage - Tmnl 15(+) to earth	V	_
Distributor		Marelli
Points gap (air gap)	mm	_
Dwell angle	° (%)	_
Condenser capacity	µF	_
Rotation		Clockwise
Ignition timing - basic [static	° Crankshaft @ rpm	10 BTDC @ idle
V = Vacuum NV = No Vacuum		_
Total ignition advance	° Crankshaft @ rpm	_
Centrifugal check.	° Crankshaft @ rpm	0±2 @ 1450
Vacuum range check	mbar	80 to 267
Maximum vacuum advance	° Crankshaft	12±2
Spark plugs		Marelli/Champion
Type		F8LCR / RN9YC
Electrode gap	mm	0.70 to 0.80

Electrical system Regata 85 Super AT 1986 to 1989

Battery	V / CC / RC	12 / 210 / 65
Alternator voltage / full load current / engine rpm		14.0 to 14.3 / _ / 3500
Starter motor current / voltage - cranking	A / V	200 / 10
- locked	A / V	400 / 8.5

Running gear Regata 85 Super AT 1986 to 1989

Brakes -		
Front (min. friction material thickness)	mm	1.5
Rear (min. friction material thickness)	mm	1.5
Tyres		
Saloon	Size	165/70x13
Estate / Van	Size	_
Pressure - front / rear - Saloon	bar	1.9 / 1.8 ¹
- Estate / Van	bar	_
Front suspension / wheel alignment		
Toe-in (+) / Toe-out (-)	mm [°]	-1.0 to +1.0
Camber		+1°15' to 2°15' ²
Castor		+1° to 2°
King pin inclination		_
Rear suspension / wheel alignment		
Toe-in (+) / Toe-out (-)	mm [°]	0 to +4.0
Camber		-45' to +15'

Torque wrench settings Regata 85 Super AT 1986 to 1989

Cylinder head - stage 1	Nm	20 ³
- stage 2	Nm	40 ³
Cylinder head - stage 3	Nm	+ 90 ³
- stage 4	Nm	+ 90 ³
Big-end bearings	Nm	51
Main bearings	Nm	80
Clutch cover	Nm	16
Flywheel [driveplate]	Nm	83
Front hubs	Nm	294 staked
Rear hubs	Nm	216 staked
Wheel nuts / bolts	Nm	86
Spark plugs	Nm	25 to 30

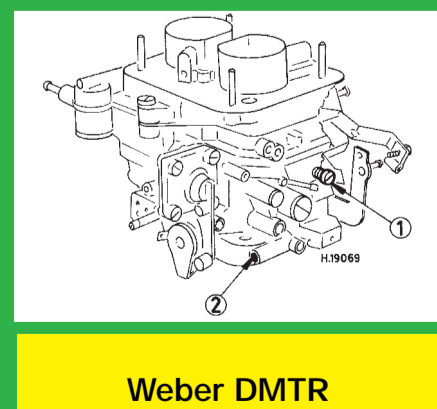
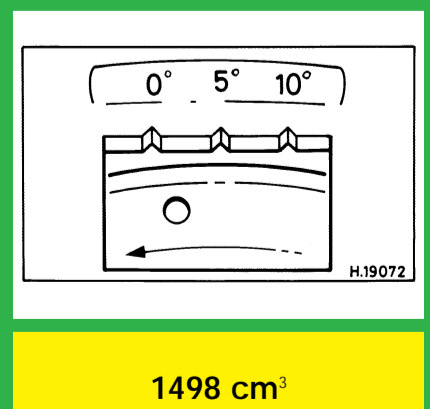
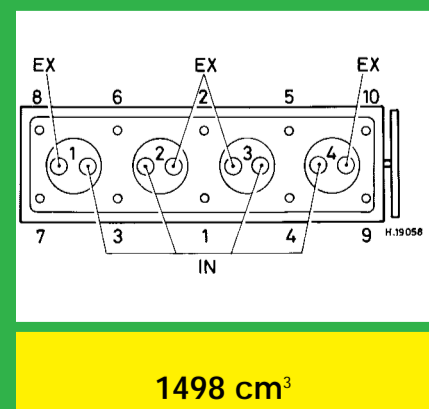
Capacities Regata 85 Super AT 1986 to 1989

Engine oil & filter	litres	4.1
Gearbox - 4-speed [5-speed]	litres	_
Automatic transmission - refill	litres	3.0
Final drive	litres	0.75
Cooling system	litres	7.0
Fuel tank	litres	55

Notes and Illustrations

¹Chassis 7 713 054 ▶: 2.1 / 2.1
²Chassis 7 713 054 ▶: +45' to 1°45'
³Additional bolts: 30

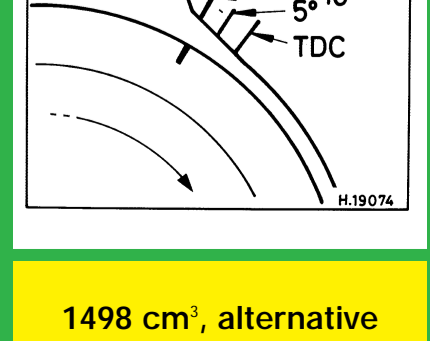
1: Idle speed 2: CO / Mixture



1498 cm³

1498 cm³

Weber DMTR



1498 cm³, alternative