

Engine & Cooling	Fuel	Ignition	Electrical	Running gear	Torque settings	Capacities	Notes & Illustrations
------------------	------	----------	------------	--------------	-----------------	------------	-----------------------



Automotive Technical DATA BOOK

Click on one of the buttons above to view data for this car. To return to this screen and make another choice, click anywhere on the data screen.

MENU

HELP

Engine and cooling system

		Typo 2.0ie 16V CAT	1991 to 1995
Type		160 A8.046 16V.	107kW US83
Capacity (cm ³) / number of cylinders		1995 / 4	
Compression ratio / pressure	bar	10.5±0.15 / _	
Oil pressure	bar	[3.4 to 4.9]	
Oil temperature	°C	100	
Valve clearance - inlet	mm	0.45±0.03	
Valve clearance - exhaust	mm	0.50±0.03	
Firing order		1-3-4-2	
No 1 cylinder position		TBE	
Thermostat opening temperature	°C	83±2 to 97	
Radiator cap pressure	bar	0.98	

Fuel system

		Typo 2.0ie 16V CAT	1991 to 1995
Idle speed - manual [auto]	rpm	900±30	
Fast idle speed - manual [auto]	rpm	_	
CO @ idle speed [3000 rpm] - see page VI	%	0.7±0.2. Ex: ≤0.35	N/A
HC @ idle speed [3000 rpm] - see page VI	ppm	≤500. Ex: ≤100	
CO ₂ @ idle speed [3000 rpm] - see page VI	%	_	
O ₂ @ idle speed [3000 rpm] - see page VI	%	_	
Carburettor / fuel injection		Weber-Marelli	
Type / ref		IAW MPI	
Main jet / needle		_	
Injection pressure	bar	3.0±0.2	
Pump pressure	bar	≤4.5	
Octane rating	RON	95[U]	

Ignition system

		Typo 2.0ie 16V CAT	1991 to 1995
Type		IAW	
Ignition coil		Marelli BAE 504DK	
Primary resistance	ohms	0.405 to 0.495	
Ballast resistor	ohms	_	
Voltage - Tmnl 15(+) to earth	V	_	
Distributor		Marelli	
Points gap (air gap)	mm	_	
Dwell angle	° (%)	_	
Condenser capacity	µF	_	
Rotation		_	
Ignition timing - basic [static	° Crankshaft @ rpm	10±2 BTDC @ 900±30	N/A
V = Vacuum NV = No Vacuum		_	
Total ignition advance	° Crankshaft @ rpm	_	
	° Crankshaft @ rpm	_	
	° Crankshaft @ rpm	_	
Centrifugal check.	° Crankshaft @ rpm	Computer control	
	° Crankshaft @ rpm	_	
	° Crankshaft @ rpm	_	
Vacuum range check	mbar	Computer control	
Maximum vacuum advance	° Crankshaft	_	
Spark plugs		Champion	
Type		RN7YCC	
Electrode gap	mm	0.85 to 0.95	

Electrical system

		Typo 2.0ie 16V CAT	1991 to 1995
Battery	V / CC / RC	12 / 320 / 60, 400 / 70	
Alternator voltage / full load current / engine rpm		14.1 to 14.3 / 65 / 3500	
Starter motor current / voltage - cranking	A / V	360 to 380 / 8.15	
- locked	A / V	680 to 700 / 4.9	

Running gear

Brakes -

Front (min. friction material thickness)	mm	1.5
Rear (min. friction material thickness)	mm	1.5

Tyres

Saloon	Size	185/55x15: 195/50x15
Estate / Van	Size	_
Pressure - front / rear - Saloon	bar	2.5 / 2.2
- Estate / Van	bar	_

Front suspension / wheel alignment

Toe-in (+) / Toe-out (-)	mm [°]	-1.0 to +1.0
Camber		-15'±30' N/A
Castor		+2°20'±30' N/A
King pin inclination		_

Rear suspension / wheel alignment

Toe-in (+) / Toe-out (-)	mm [°]	-2.0 to +2.0
Camber		-1°±30' N/A

Torque wrench settings

		Typo 2.0ie 16V CAT	1991 to 1995
Cylinder head - stage 1	Nm	20	
- stage 2	Nm	70	
Cylinder head - stage 3	Nm	+ 90°	
- stage 4	Nm	+ 90°	
Big-end bearings	Nm	25 + 50°	
Main bearings	Nm	Centre: 20 + 130° ¹	
Clutch cover	Nm	38	
Flywheel [driveplate]	Nm	142	
Front hubs	Nm	235	
Rear hubs	Nm	320	
Wheel nuts / bolts	Nm	86	
Spark plugs	Nm	25 to 30	

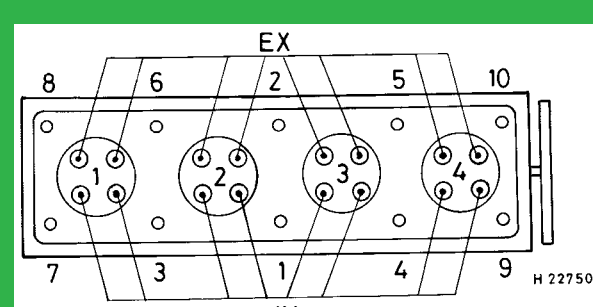
Capacities

		Typo 2.0ie 16V CAT	1991 to 1995
Engine oil & filter	litres	5.2	
Gearbox - 4-speed [5-speed]	litres	1.4	
Automatic transmission - refill	litres	_	
Final drive	litres	WT	
Cooling system	litres	6.9	
Fuel tank	litres	52	

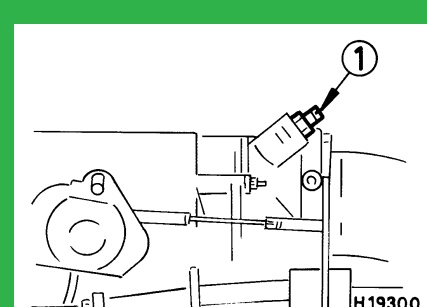
Notes and Illustrations

¹Side: 20 + 90°

1: Idle speed 2: CO / Mixture



1995 cm³, DOHC 16V



Weber-Marelli IAW