

Engine & Cooling	Fuel	Ignition	Electrical	Running gear	Torque settings	Capacities	Notes & Illustrations
------------------	------	----------	------------	--------------	-----------------	------------	-----------------------



# Automotive Technical DATA BOOK

Click on one of the buttons above to view data for this car. To return to this screen and make another choice, click anywhere on the data screen.

**MENU**      **HELP**

### Engine and cooling system      Tempra 1.4 & Selecta      1990 to 1992

Type		159 A2.000 SOHC (56kW)
Capacity (cm <sup>3</sup> ) / number of cylinders		1372 / 4
Compression ratio / pressure	bar	9.2±0.1 / _
Oil pressure	bar	1.5 [4.6]
Oil temperature	°C	100
Valve clearance - inlet	mm	0.40±0.05
Valve clearance - exhaust	mm	0.50±0.05
Firing order		1-3-4-2
No 1 cylinder position		TBE
Thermostat opening temperature	°C	85 to 89
Radiator cap pressure	bar	0.98

### Fuel system      Tempra 1.4 & Selecta      1990 to 1992

Idle speed - manual [auto]	rpm	850±50
Fast idle speed - manual [auto]	rpm	_
CO @ idle speed [3000 rpm] - see page VI	%	1.0±0.5
HC @ idle speed [3000 rpm] - see page VI	ppm	≤1200
CO <sub>2</sub> @ idle speed [3000 rpm] - see page VI	%	_
O <sub>2</sub> @ idle speed [3000 rpm] - see page VI	%	_
Carburettor / fuel injection		Weber
Type / ref		32-34 TLDE 21/151. A/c: 551
Main jet / needle		110, 123 [110, 122]
Injection pressure	bar	_
Pump pressure	bar	0.18
Octane rating	RON	97[E 95 RON]

### Ignition system      Tempra 1.4 & Selecta      1990 to 1992

Type		Electronic
Ignition coil		Marelli BAE 506D
Primary resistance	ohms	0.666 to 0.814
Ballast resistor	ohms	_
Voltage - Tmnl 15(+) to earth	V	_
Distributor		Marelli
Points gap (air gap)	mm	_
Dwell angle	° (%)	_
Condenser capacity	µF	_
Rotation		_
Ignition timing - basic [static	° Crankshaft @ rpm	10±1 BTDC @ idle
V = Vacuum    NV = No Vacuum		NV
Total ignition advance	° Crankshaft @ rpm	_
	° Crankshaft @ rpm	_
	° Crankshaft @ rpm	_
Centrifugal check.	° Crankshaft @ rpm	0±2 @ 1250±200
	° Crankshaft @ rpm	12±2 @ 2100±200
	° Crankshaft @ rpm	24±2 @ 5250±200
Vacuum range check	mbar	200 to 413
Maximum vacuum advance	° Crankshaft	12±2
Spark plugs		Bosch/Champion
Type		WR7DC / RN9YC
Electrode gap	mm	0.70 to 0.80

### Electrical system      Tempra 1.4 & Selecta      1990 to 1992

Battery	V / CC / RC	12 / 200 / 40Ah
Alternator voltage / full load current / engine rpm		14.0 to 14.6 / 55, 90 / 3500
Starter motor current / voltage - cranking	A / V	160 to 180 / 9.4 to 9.6
- locked	A / V	316 / 7.3

### Running gear      Tempra 1.4 & Selecta      1990 to 1992

<b>Brakes -</b>		
Front (min. friction material thickness)	mm	1.5
Rear (min. friction material thickness)	mm	1.5
<b>Tyres</b>		
Saloon	Size	165/70x13: 165/65x14:165/60x14
Estate / Van	Size	175/65x14: 185/60x14
Pressure - front / rear - Saloon	bar	2.0 / 2.0
- Estate / Van	bar	2.2 / 2.2
<b>Front suspension / wheel alignment</b>		
Toe-in (+) / Toe-out (-)	mm [°]	-1.0 to +1.0
Camber		-20' to +40' N/A
Castor		+1°50' to 2°50' N/A <sup>1</sup>
King pin inclination		_
<b>Rear suspension / wheel alignment</b>		
Toe-in (+) / Toe-out (-)	mm [°]	-3.0 to +1.0
Camber		-30' to -1°30' N/A

### Torque wrench settings      Tempra 1.4 & Selecta      1990 to 1992

Cylinder head - stage 1	Nm	20
- stage 2	Nm	40
Cylinder head - stage 3	Nm	+ 90°
- stage 4	Nm	+ 90°
Big-end bearings	Nm	51
Main bearings	Nm	80
Clutch cover	Nm	16
Flywheel [driveplate]	Nm	83
Front hubs	Nm	235
Rear hubs	Nm	284
Wheel nuts / bolts	Nm	86
Spark plugs	Nm	25 to 30

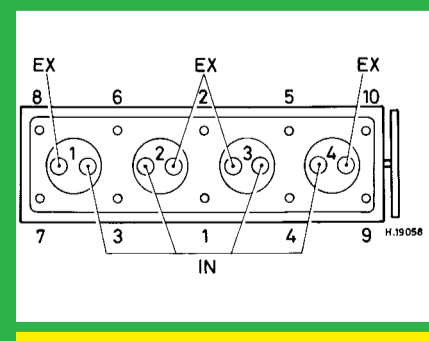
### Capacities      Tempra 1.4 & Selecta      1990 to 1992

Engine oil & filter	litres	3.7
Gearbox - 4-speed [5-speed]	litres	2.0
Automatic transmission - refill	litres	3.5
Final drive	litres	WT
Cooling system	litres	5.5
Fuel tank	litres	65

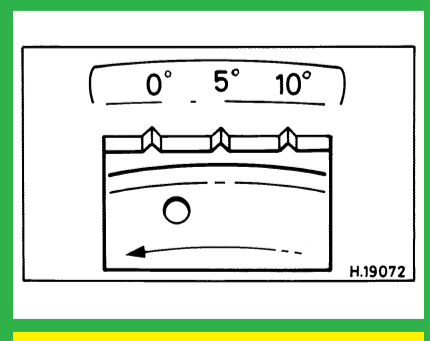
### Notes and Illustrations

<sup>1</sup>PAS 4D: +2°10' to 3°10'. 5D: +50' to 1°50'

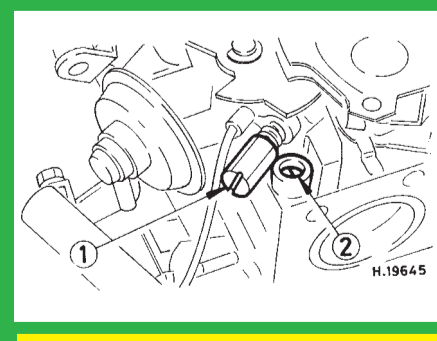
1: Idle speed      2: CO / Mixture



1372 cm<sup>3</sup>



1372 cm<sup>3</sup>



Weber TLDE